

PC/104 Embedded Consortium

1712 Devonshire Road
Sacramento, CA 95864
Tel 916.270.2016 / Fax 866.746.3815
www.pc104.org

PRESS RELEASE

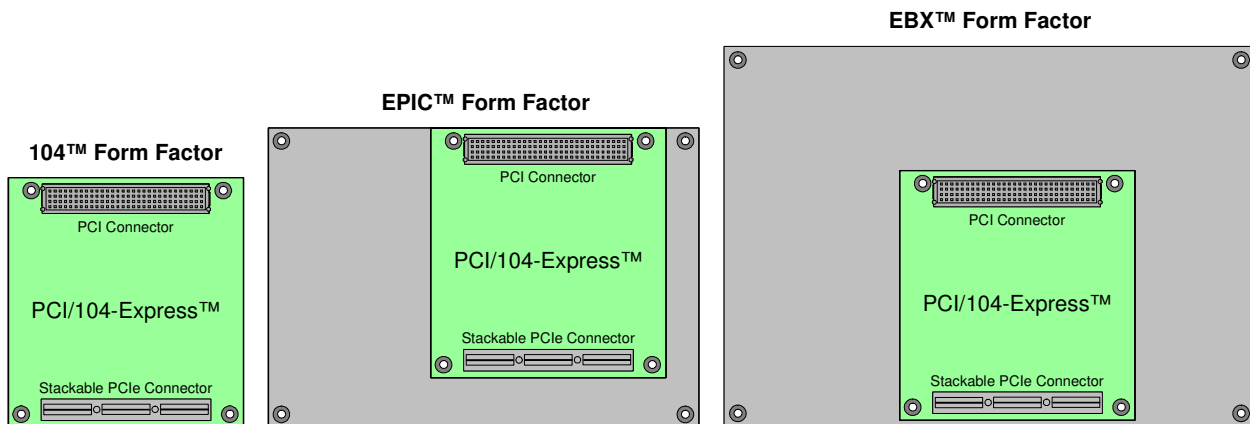
PC/104 Embedded Consortium Approves PCI/104-Express Specification Consortium Adopts the next Stackable Bus for the PC/104 Architecture

Sacramento, March 21, 2008 – The PC/104 Embedded Consortium™ adopted a consolidated and consistent stackable PCI Express® roadmap for the PC/104™ industry! With overwhelming positive support, the voting members adopted the PCI/104-Express™ and PCIe/104™ specification to address the needs of current and future stackable embedded PC applications.

The adoption of the specifications culminates the hard work and effort of the Consortium's Technical Committee which attracted over 22 Consortium members over the last year to debate the merits of various configurations and work out the plethora of technical challenges uniquely faced by a stackable PCI Express architecture.

The specification builds on the foundation of following the PC market as defined by the major chip manufacturers. This began with the ISA bus (PC/104), then the ISA and PCI buses together (PC/104-Plus), then the PCI bus only (PCI/104), and then the PCI and PCI Express buses together (PCI/104-Express). For additional room on a module, the PCIe/104 removes the PCI bus. This roadmap allows maximum use and leveraging of the vast resources and economies of scale of the PC community in both hardware and software development. It also allows maximum backward compatibility with minimal stacking overhead, if any, and allows future bus advancements as technologies develop and mature.

This new stackable PCI Express bus can be immediately incorporated across the Consortium's 104™, EPIC™, and EBX™ form factors.



The features of the specification give the user unprecedented flexibility in design and stacking configuration. PCI bridges, lane replacement, external cabling, high speed connectivity, large bandwidth capabilities, backward compatibility, and mechanical synergy open the end user's imagination. As PCI Express quickly expands to tap into the market features of the past and explore the possibilities of the future, the configuration considerations that went into the specification will be ready to meet the challenge.

A new high speed surface mount connector was specially sponsored and designed for this application. Maximum effort went into configuring this connector so that it was capable of handling the rugged environments of the embedded market, optimized for the 0.600" (15.24 mm) stack height of the PC/104 architecture, and capable of transporting the high speed signaling of PCI Express over large stack heights while keeping Gen 2 in sight.

Longevity is one of the hallmarks of the PC/104 Consortium's technology and many customers require the stable, long-term supply that PC/104 module vendors offer. PC/104's reliability is valued by thousands of OEMs in application areas such as industrial control and instrumentation, military and aerospace, and medical.

For more information about the PCI/104 Express and PCIe/104 specification and how they are incorporated onto the 104™, EPIC™, and EBX™ form factors, and to download a free copy of the specification, go to www.pc104.org.

About the PC/104 Embedded Consortium:

The Consortium is the focal point for the entire PC/104 industry including manufactures and OEMs. It provides a place for information on current specifications, product offerings, news, and events and a place to advance and develop specifications that are consistent and stable for long term use.

The PC/104 Consortium and standard were established in 1992. PC/104, in use since 1987, is a small form factor, embedded PC physical and electrical interface standard. It provides embedded system designers with an architecture that is dense, cost effective and based on proven, practical technology. PC/104-*Plus*, an extension that was added to the standard in 1995, incorporates PCI technology. A PCI only version, PCI-104 was incorporated into the specification in 2003. EPIC form factor, a mid-sized format that supports PC/104 and PC/104-*Plus* was adopted in early 2005.

For more technical information on PC/104, PC/104-*Plus*, PCI-104, PCI/104 Express, PCIe/104, EBX, and EPIC specifications, please visit www.pc104.org.

Media Contact: Jeff Milde, Executive Director, PC/104 Embedded Consortium
jmilde@pc104.org / Tel: (916) 270.2016 / FAX: 866.746.3815